



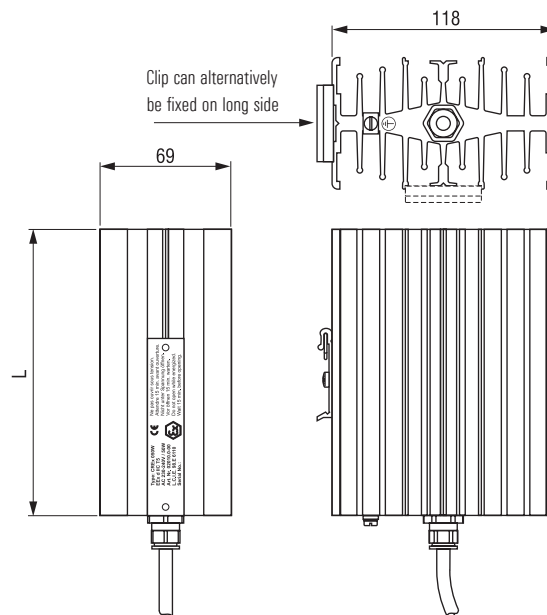
- Large convection surface
- Clip fixing
- Ready for use
- Maintenance free

Compact convection heater for use in areas with explosion hazard for prevention of formation of condensation, temperature fluctuations and for protection against frost in transmitter housings, switch cabinets and measuring equipment.



Technical Data

Explosion protection according to EN	LCIE (Laboratoire Central des Industries Electriques)
Conformity certificate	LCIE 01 ATEX 6073
Heating element	high performance cartridge
Heater body	aluminium profile, black anodised
Connection	Si HF-JZ 3 x 0.75mm ² cable, length 1m
Connection PE	4mm ²
Mounting	clip for 35mm DIN rail, EN 50022
Fitting position	vertical
Operating / Storage temperature	-20 to +40°C (-4 to +104°F) / -45 to +70°C (-49 to +158°F)
Protection type / Protection class	IP65 / I (earthed)



Art. No.	Operating voltage	Heating capacity	Ex protection type	Surface temperature	Length (L)	Weight (approx.)
02010.0-00	230-240VAC	50W	Ex II 2 GD - EEx d IIC T5 IP6x T100°C	100°C	150mm	1.30kg
02011.0-00	230-240VAC	100W	Ex II 2 GD - EEx d IIC T4 IP6x T135°C	135°C	180mm	1.50kg
02010.0-01	110-120VAC	50W	Ex II 2 GD - EEx d IIC T5 IP6x T100°C	100°C	150mm	1.30kg
02011.0-01	110-120VAC	100W	Ex II 2 GD - EEx d IIC T4 IP6x T135°C	135°C	180mm	1.50kg